

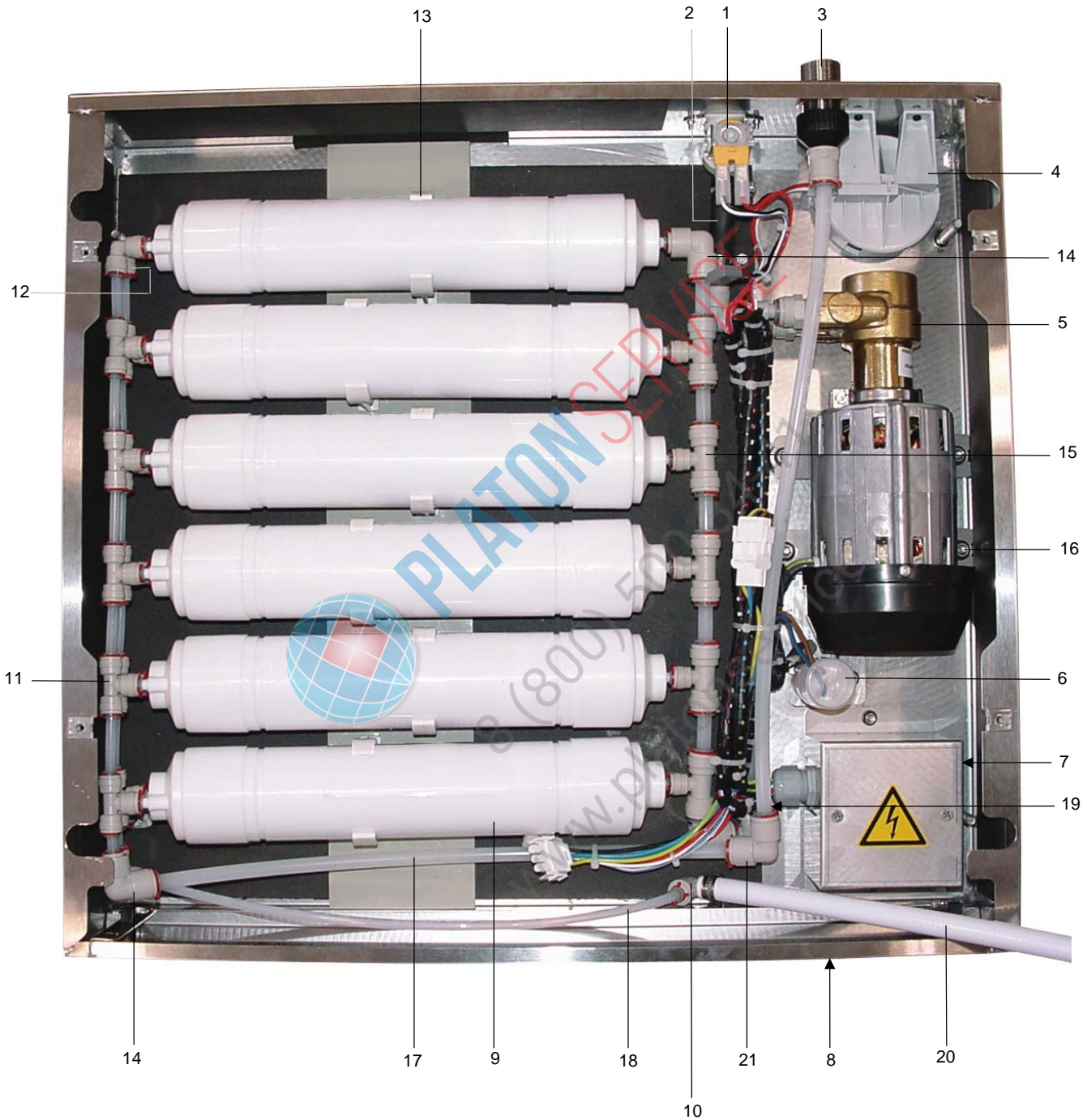
33.04 UMKEHROSMOSE - SOCKEL

33.04 REVERSE OSMOSIS - PLINTH

33.04 OSMOSEUR - SOCLE



UO_33_04.doc
2008-07-08/BP



33.04 UMKEHROSMOSE - SOCKEL

33.04 REVERSE OSMOSIS - PLINTH

33.04 OSMOSEUR - SOCLE



UO_33_04.doc
2008-07-08/BP

POS	IDENT. NR. IDENT. NO.	BEZEICHNUNG	DESIGNATION	DESIGNATION
	9651344	UMKEHROSMOSE KPL.	REVERSE OSMOSIS CPL.	OSMOSEUR CPL.
1	* 9623108	MAGNETVENTIL G3/4"AXD10X24VDC	SOLENOID VALVE G3/4"AXD10X24VDC	ÉLECTROVANNE G3/4"AXD10X24VDC
2	9608607	SCHLAUCH	HOSE	TUYAU FLEXIBLE
3	9646753	ÜBERGANGSSTÜCK 3/4"BSPX1/4"BSP	TRANSITION PIECE 3/4"BSPX1/4"BSP	RACCORD DE REDUCTION 3/4"BSPX1/4"BSP
	9646754	GEWINDENIPPEL G1/4"X30X3/8"SI	THREADED NIPPLE G1/4"X30X3/8"SI	RACCORD FILETÉ G1/4"X30X3/8"SI
	8660462	GEWINDENIPPEL G3/4"X45	THREADED NIPPLE G3/4"X45	RACCORD FILETÉ G3/4"X45
	8660463	SECHSKANTMUTTER R3/4"	HEXAGON NUT R3/4"	ÉCROU HEXAGONAL R3/4"
4	9622935	SCHWIMMERSCHALTER	FLOAT SWITCH	FLOTTEUR POUR NIVEAU DE BAC
5	* 9651699	BAUSATZ MOTOR	MOTOR KIT	KIT DE MOTEUR
6	* 9652090	BETRIEBSKONDENSATOR 400-500V50/60HZ6,3UF	OPERATING CAPACITOR 400-500V50/60HZ6,3UF	CONDENSATEUR DE FONCTION- NEMENT 400-500V50/60HZ6,3UF
7	* 9543079	SCHÜTZ 24VDC 4KW 20/9A	CONTACTOR 24VDC 4KW 20/9A	CONTACTEUR 24VDC 4KW 20/9A
8	9651110	SOCKEL 120MM	PLINTH 120MM	SOCLE 120MM
	9650720	BLENDE 120MM	SCREEN 120MM	ÉCRAN 120MM
	9653533	SOCKEL 150MM	PLINTH 150MM	SOCLE 150MM
	9653475	BLENDE 150MM	SCREEN 150MM	ÉCRAN 150MM
9	V 9654052	AUSTAUSCHSATZ MODULE	MODULE	MODULES
10	9632704	BOGEN 90°X3/8"SIX1/4"SA	CURVE 90°X3/8"SIX1/4"SA	COURBE 90°X3/8"SIX1/4"SA
11	9637293	T-STÜCK 1/4"SIX1/4"SIX1/4"SI	T-PIECE 1/4"SIX1/4"SIX1/4"SI	PIECE EN T 1/4"SIX1/4"SIX1/4"SI
12	9637292	BOGEN 90°X1/4"SIX1/4"SI	CURVE 90°X1/4"SIX1/4"SI	COURBE 90°X1/4"SIX1/4"SI
13	9651312	ROHRSCHELLE 58-62MM	HOSE CLAMP 58-62MM	BRIDE POUR TUYEAU 58-62MM
14	9637294	BOGEN 90°X3/8"SIX1/4"SI	CURVE 90°X3/8"SIX1/4"SI	COURBE 90°X3/8"SIX1/4"SI
15	9632701	T-STÜCK 3/8"SIX3/8"SIX1/4"SI	T-PIECE 3/8"SIX3/8"SIX1/4"SI	PIECE EN T 3/8"SIX3/8"SIX1/4"SI
16	9500262	GUMMIPUFFER	RUBBER BUFFER	TAMPON EN CAOUTCHOUC
17	9637317	DRUCKSCHLAUCH 3/8"	PRESSURE HOSE 3/8"	TUYAU FLEXIBLE HAUTE PRES- SION 3/8"
18	9637318	DRUCKSCHLAUCH 1/4"	PRESSURE HOSE 1/4"	TUYAU FLEXIBLE HAUTE PRES- SION 1/4"
19	9655822	DROSSEL Ø1,6	THROTTLE Ø1,6	CLAPET D'ETRANGLEMENT Ø1,6
20	9541795	SCHLAUCH WRC	HOSE WRC	TUYAU FLEXIBLE WRC
21	9632702	BOGEN 90°X3/8"SIX3/8"S	CURVE 90°X3/8"SIX3/8"S	COURBE 90°X3/8"SIX3/8"S
	9652852	SICHERUNGSRING 1/4"	SNAP RING 1/4"	CIRCLIP 1/4"
	9652853	SICHERUNGSRING 3/8"	SNAP RING 3/8"	CIRCLIP 3/8"

33.05 VORFILTERGRUPPE

33.05 PRELIMINARY FILTER

33.05 FILTRE PRELIMINAIRE



33.05 VORFILTERGRUPPE

33.05 PRELIMINARY FILTER

33.05 FILTRE PRELIMINAIRE



UO_33_05.doc
2008-08-08/BP

POS	IDENT. NR. IDENT. NO.	BEZEICHNUNG	DESIGNATION	DESIGNATION
1	9651177	ANSCHLUSS-SET KPL.	CONNECTING KIT CPL.	KIT DE BRANCHEMENT CPL.
2	9651199	HALTERUNG	FIXING DEVICE	FIXATION
3	9651193	DRUCKMINDERER 3/4"	PRESSURE REDUCING VALVE 3/4"	RÉDUCTEUR DE PRESSION 3/4"
4	9658122	SICHERUNGSKOMBINATION 3/4" IG X AG	BACK VALVE 3/4" MALE / FEMALE	VALVE ANTI-RETOUR 3/4" MALE / FEMELLE
5	* 0408238	DICHTUNG 17X24X2	SEAL 17X24X2	GARNITURE D'ETANCHEITE 17X24X2
6	9505089	PANZERSCHLAUCH 3/4"	REINFORCED HOSE 3/4"	TUYEAU RENFORCÉ 3/4"
7	9651179	SCHLÜSSEL	KEY	CLÉ
8	9651176	FILTERGEHÄUSE	FILTER HOUSING	BOÎTIER DE FILTRE
9	V 9651178	FILTEREINSATZ 5µM	FILTER CARTRIDGE 5µM	CARTOUCHE DE FILTRE 5µM
10	9651181	KUGELHAHN G3/4"	BALL VALVE G3/4"	ROBINET A BOISSEAU SPHERI- QUE G3/4"
11	9602535	PANZERSCHLAUCH 3/4"	REINFORCED HOSE 3/4"	TUYEAU RENFORCÉ 3/4"



PLATON SERVICE
8 (800) 500-34-41
www.platonservice.com

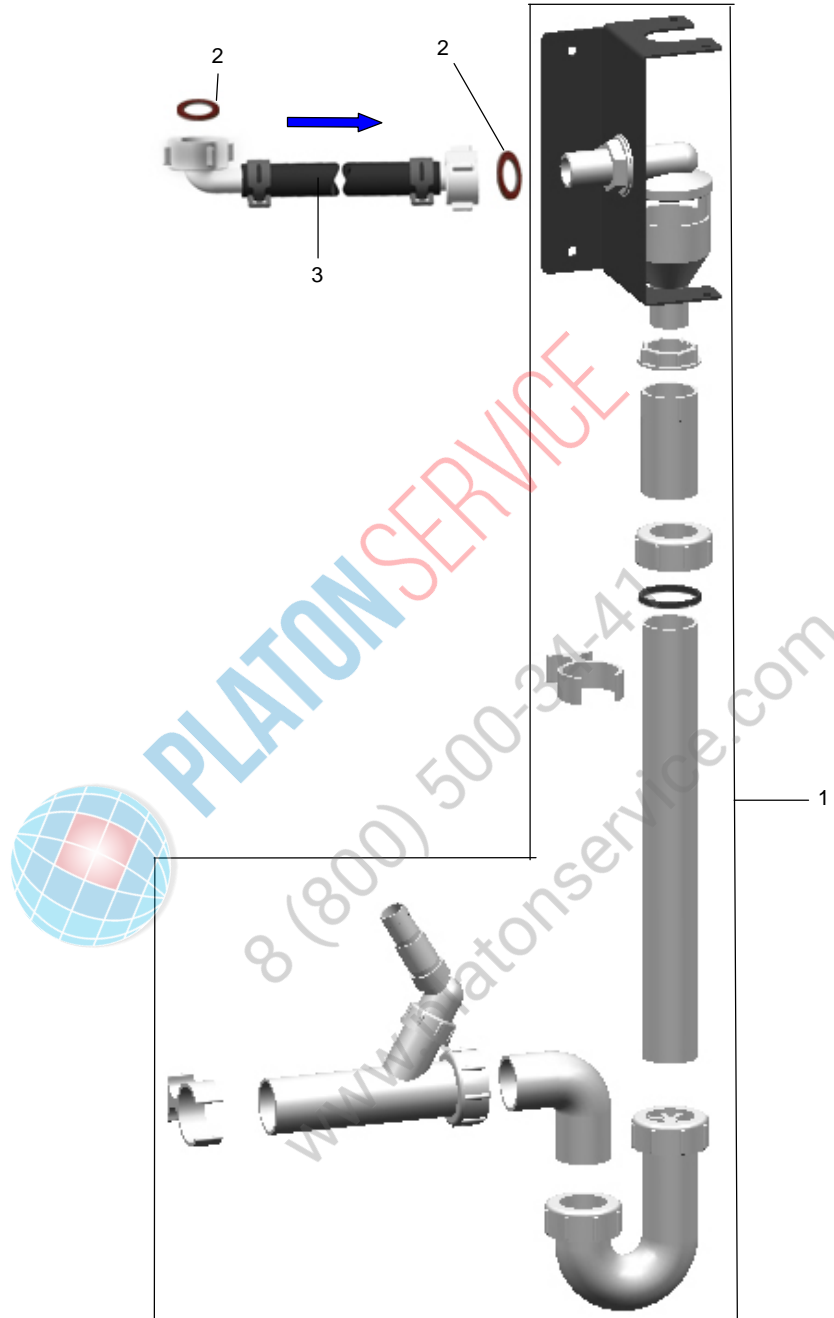
33.06 ABLAUF-SET

33.06 DRAIN-SET

33.06 SET DE VIDANGE



UO_33_06.doc
2008-09-12/BP



POS	IDENT. NR. IDENT. NO.	BEZEICHUNG	DESIGNATION	DESIGNATION
1	9657964	ABLAUFVERROHRUNG KPL..	PIPEWORK FOR DRAIN CPL.	TUYAUTERIE DE VIDANGE CPL.
2	0217432	FLACHDICHUNG	FLAT PACKING	GARNITURE PLATE
3	9628398	ABLAUFVERROHRUNG	PIPEWORK FOR DRAIN	TUYAUTERIE DE VIDANGE